

Retainer AK2

Ø11mm VDA-AK2 retainer with integrated shorting clip

part-no.: C 252 14B002 X0X 2

- AK2 retainer with integrated shorting clip (fits into Ø11mm ignitors)
- shorting clip selective gold plated at contact points
- extension ears to prevent rotation in ignitor
- 3 mechanical codings available
- different colours available



Performance characteristics:

- temperature range: -40°C to +90°C

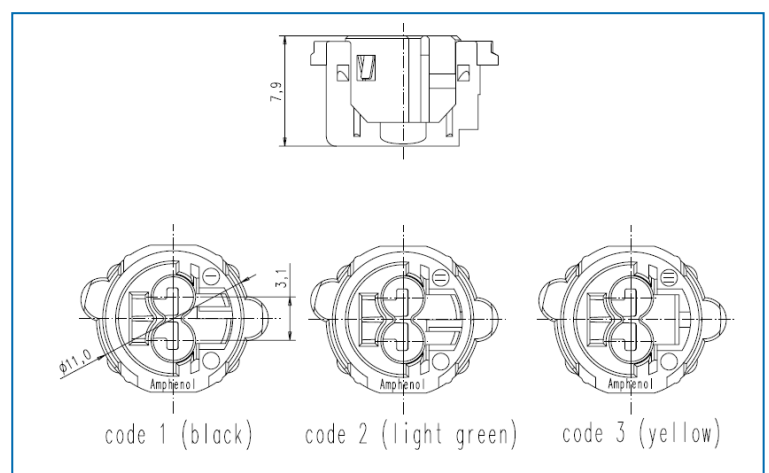
Construction:

- housing material: PBT
- contact material: stainless steel

Connector interface:

- Ø11mm AK2
- code 1 (black), code 2 (light green), code 3 (yellow)

Dimensional characteristics:



Generator interface:

- Ø11mm AK2 (K, L, ISO)
- ISO 19072-2