

AK2 ferrite 'basic', squib connector

Ø11mm AK2 interface, 90° angled, 'kojiri-safe' nozzle, without CPA

part-no.:
CA290A XXXX XXXX (pig tail)
C290A XXX XX1 (kit)

mating design:

- reversed locking leg design
- serviceable locking mechanism
- one step mating
- very low insertion force
- no CPA
- 'scoop-proof', 'kojiri-safe' nozzle

terminal system:

- O-type contact system
- one piece design
- selective gold plated
- two contact points

termination technology:

- crimped wire termination
- two different wire cross sections

general:

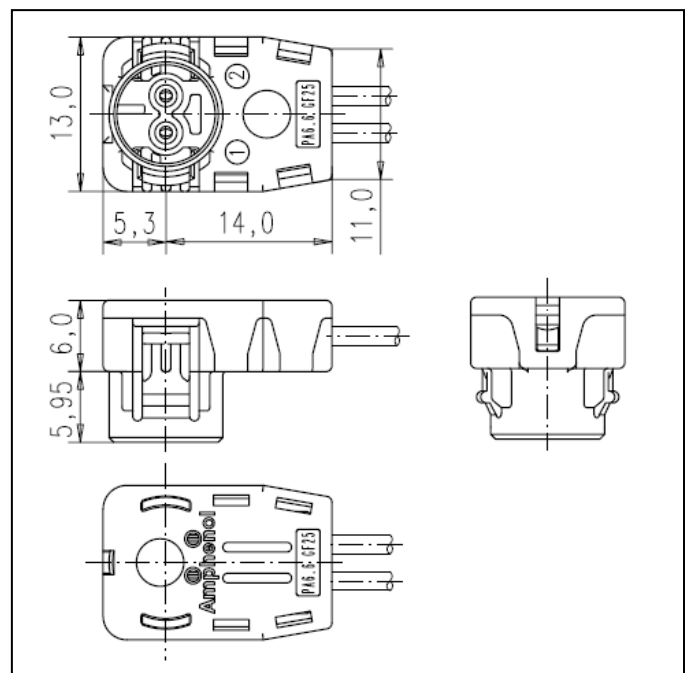
- pig tail delivery with different cable lengths
- kit form delivery possible (plastic piece parts, terminals from reel)



construction:

- housing material: PA 6.6
- contact material: CuSn
- wire gauge: 0,35 mm² or 0,5mm²
- RFI/EMI protection: ferrite core

dimensions:



performance characteristics:

- pull out force : >135N
- insertion force: < 25N
- temperature range: -40°C to +90°C
- dielectric resistance: 1000V / DC

connector interface:

- Ø11mm VDA-AK2
- codings:
I (black), II (light green), III (yellow)