

C390 – 8mm active pin lock R8S

High voltage, high current connector, 35-50mm² wire

Part-No.: C390 10E101 X41 2

Mating design:

→ serviceable locking button

Terminal system:

- Ø 8mm Radsok R8S contact system
- silver plated
- tin coated crimp area

Terminal technology:

→ crimping

General:

- 90° angled connector design
- 5 different coding available
- TPA (terminal position assurance) implemented in the housing
- accepts 35-50mm² wire



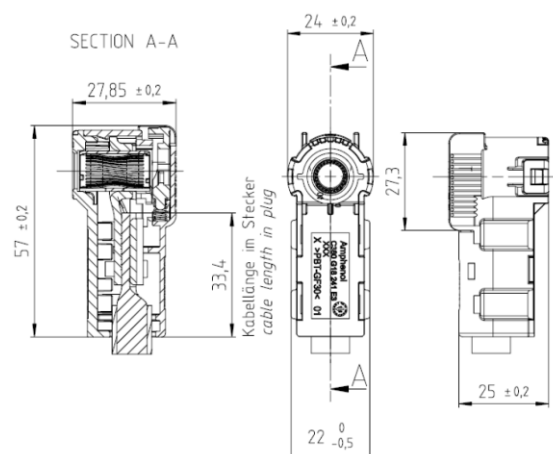
Construction:

- housing material: PBT GF30
- contact material: copper alloy (silver plated)
- standard wire: 35-50mm²

Performance characteristics:

- nominal current: 160A at 85°C (35mm²)
205A at 85°C (50mm²)
- voltage range: 60V DC/AC
- pull out force: >250N (once only)
- temperature range: -40°C to +170°C

Dimensional characteristics:



Connector interface:

- grooved pin, 8mm, silver plated
- cover stepped, optional flat design
- housing color see coding:
 - neutral (black)
 - A (red), B (white), C (blue), D (brown)