

Amphenol Automotive

Amphenol-Tuchel Electronics GmbH



4mm 90° GROUNDSOK® - 1



Product Description

4mm 90° GROUNDSOK®- 1

Plug connector with spring lock function for ground connections in vehicles (pin on body).

PRODUCT CHARACTERISTICS

Mating design	<ul style="list-style-type: none"> - Self-locking plug connection with spring lock function (GoNoGo), usable for 4 mm contact pin - No interface required
Terminal system	<ul style="list-style-type: none"> - 1 x 4.0mm RADSOK® contact system - Silver plated
Power Termination technology	Customer specific cable connection (crimped or welded); cable crosssection up to 16 mm ²
General features	<ul style="list-style-type: none"> - Not sealed - Not shielded - Cable cross section up to 16 mm²

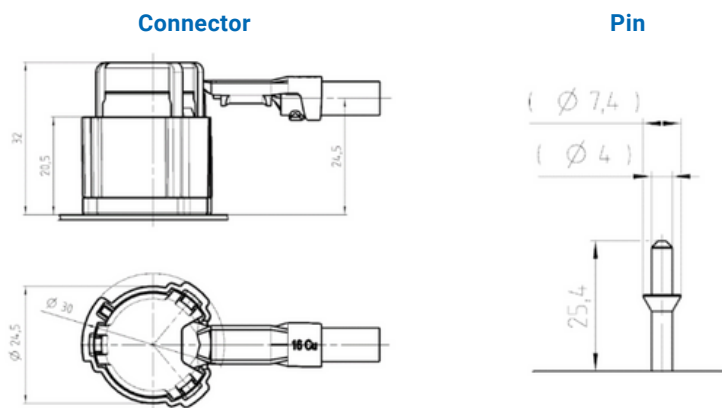
CONSTRUCTION

Housing material	PBT GF30
Contact material	Copper Alloy (silver plated)
standard wire	Up to 16mm ²

PERFORMANCE CHARACTERISTICS

Vibration class	V1 (acc. to VW 75174)
Mating force	Max. 75N
Current profile	Max. 100A @ 80°C*
Voltage range	<60V
Temperature range	-40°C to +125°C

DIMENSIONAL CHARACTERISTICS



*Derating acc. DIN EN 60512-5-2 with crimped cable. Contact free in air. Current value depending on crimp holder design, cable connection and pin material